

# CALL FOR ARTISTS!

## Out of the Box Dumpster Beautification in Downtown Garland, TX



### **The City of Garland is accepting applications from local artists for a dumpster art contest!**

Three unique artists will be chosen to paint dumpsters on Saturday, Sept. 18, 2021 as part of the Big Art Day festivities in Downtown Garland. *Selected artists will receive an \$850 payment.*

### **Design Guidelines**

Original artwork to cover all visible sides of the dumpster. Design may not contain words, characters or numbers. Rough Draft Designs must be submitted in a digital format. All applications will be reviewed by City staff and judged on originality, visual appeal and accordance with requested design themes.

Design Theme: Texas Native Plants or Landscapes

Design Colors: Selected applicants must use paint provided by the City. Applicants are limited to [\\$150 of tinted Valspar exterior paint](#) and must choose their color palette from the Valspar link provided.

### **Project Timeline**

Aug. 29	Rough Draft Designs and Artist Applications Due
Sept. 3	Applicants Notified of Selection Results
Sept. 7	Vendor Form, Artist Agreement, W-9 and Color Palette Due
Sept. 17-18*	Installation at Big Art Day

*\*Note: Artists are encouraged to begin outlining their work on Friday, Sept. 17. The majority of installation must be completed during Big Art Day Event on Saturday, Sept. 18 from 10 A.M. – 4 P.M. Dumpster will be relocated on Monday, Sept. 20 at 8 A.M.*

Please contact us at [Downtown@GarlandTx.gov](mailto:Downtown@GarlandTx.gov) or 972-205-2324 for more information.

## Artist Compensation

Upon project completion, the City of Garland awards an \$850 payment to selected artists. An artist is eligible to submit multiple designs for review. To process payment, selected artists must sign an Artist Agreement, complete a Garland Vendor Application Form and W-9 Taxpayer Identification Form. Artists can provide their own brushes or borrow used brushes and rollers from the City for the installation.

## Dumpster Info

Please see page 3 for exact dumpster measurements. Artists must allow space for City of Garland decal, on the front of dumpster measuring 14" X 20". Clean dumpsters will be painted on the Downtown Garland Square during the Big Art Day event, completed dumpsters will be moved into location the following Monday.

**Dumpster 1:** 8 yard flat; Paw Paw's Sweet Shop, 823 Main Street



**Dumpster 2:** 4 yard flat; Mill House LIVE; 532 Main Street (6<sup>th</sup> St & alley)



**Dumpster 3:** 6 yard flat; Queen B Studio; 107 S 6<sup>th</sup> Street (across street from MillHouse dumpster)



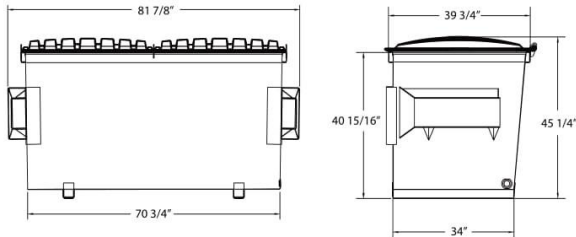
**[Submit Applications here!](#)**

Please contact us at [Downtown@GarlandTx.gov](mailto:Downtown@GarlandTx.gov) or 972-205-2324 for more information.

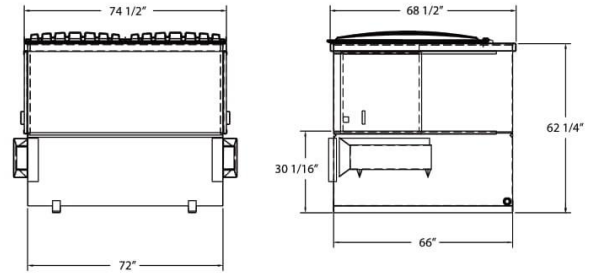


## FRONT END LOAD CONTAINERS // FLAT TOP

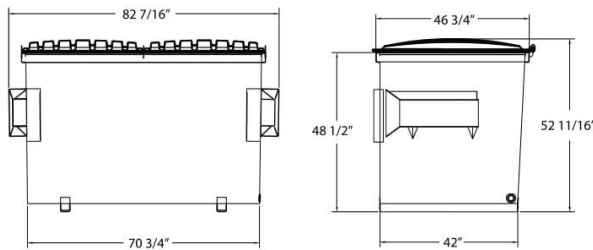
### 2 YARD FLAT NESTABLE



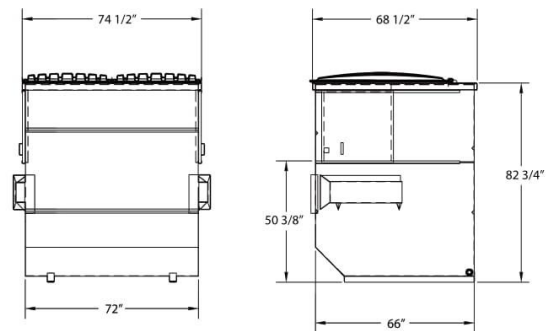
### 6 YARD FLAT



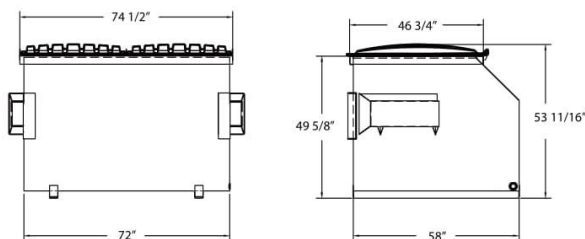
### 3 YARD FLAT NESTABLE



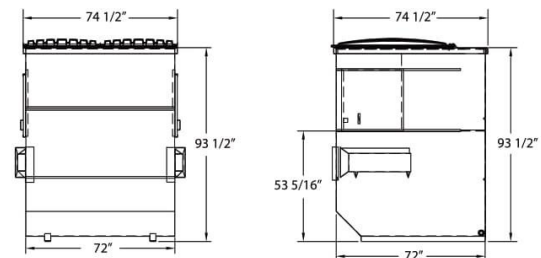
### 8 YARD FLAT



### 4 YARD FLAT



### 10 YARD FLAT



	2 YARD*	3 YARD*	4 YARD	6 YARD	8 YARD	10 YARD
<b>48 ft. trailer flat / drop</b>	42 / 52	28 / 36	18 / 18	8 / 14	8 / 8	7 / 7
<b>53 ft. trailer flat / drop</b>	45 / 57	32 / 42	20 / 20	9 / 16	9 / 9	8 / 8
<b>Plastic lid standard</b>	37" x 41" single wall	37" x 48" single wall	37" x 48" single wall	37" x 58" single wall	37" x 58" single wall	37" x 58" single wall
<b>Sides</b>	12 gauge	12 gauge	12 gauge	12 gauge	12 gauge	12 gauge
<b>Bottom</b>	10 gauge	10 gauge	10 gauge	10 gauge	10 gauge	10 gauge
<b>Weight</b>	505 lbs.	602 lbs.	732 lbs.	971 lbs.	1,110 lbs.	1,543 lbs.

\* Nestable